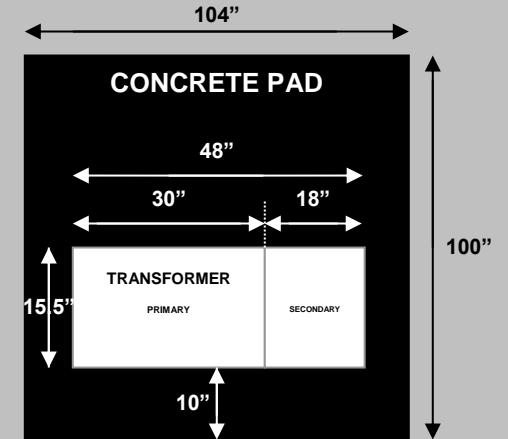


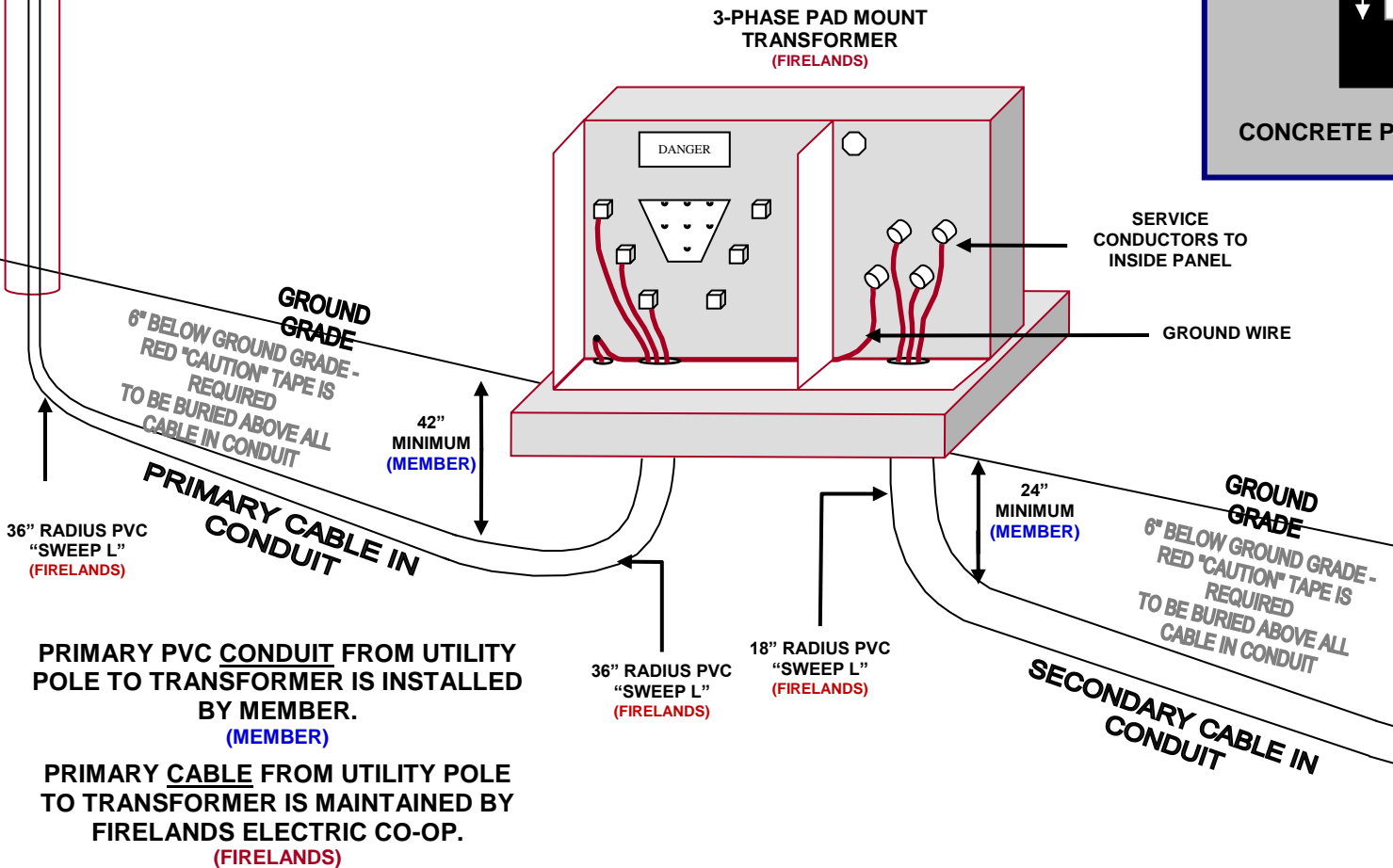
# UNDERGROUND SERVICE INSTALLATION

**3-PHASE PAD MOUNTED TRANSFORMER  
Firelands Electric Cooperative, Inc.**

## 750 & 1000 KVA THREE PHASE TRANSFORMER CONCRETE PAD SPECIFICATIONS



CONCRETE PAD MUST BE MINIMUM OF 8' THICK





## **UNDERGROUND SERVICE INSTALLATION 3-PHASE PAD MOUNTED TRANSFORMER**

### **NOTES:**

- Primary cable conduit must be a minimum of 42-inches below the final ground level.
- Secondary cable conduit must be a minimum of 24-inches below the final ground level, and conduit must be a minimum of 4-inches, based on the job location.
- Load terminals of meter base are rated for 60°C, of 75°C conductor.
- The transformer pad must be level and meet Firelands' transformer concrete pad specifications. The transformer concrete pad area is approximately 100-inches by 104-inches. Contact your cooperative for complete installation procedures.
- Member is responsible for opening and then filling the trenches, installing all PVC conduit, and preparing the sites for transformer pad. The cooperative will install the primary cables up to the transformer, and member will install all secondary cables.

### **OWNERSHIP OF INSTALLED FACILITIES:**

- (a) The cooperative maintains all primary cable from the utility pole to the transformer unit.
- (b) Member owns and maintains all materials beyond the transformer.
- (c) The cooperative maintains all ownership of electrical meters.

### **MATERIALS:**

- Materials are based on job location.
- Conduit size will be determined by the cooperative, based on size of cable and length of run.
- Member needs to notify the cooperative as to the type and size of wire used on the secondary side of installation.
- Please contact Firelands Electric Cooperative for complete installation procedures and material guidelines at 1-800-533-8658, or send e-mail to [operations@firelandsec.com](mailto:operations@firelandsec.com).